

Secure SerialFlash

FEATURES

- 64-bit password security
- One array (112-bytes) two passwords (16-bytes)
  - Read password
  - Write password
- Programmable passwords
- Retry counter register
  - Allows 8 tries before clearing of the array
- 32-bit response to reset (rst input)
- 8-byte sector Write Mode
- 1MHz clock rate
- 2-wire serial interface
- Low power CMOS
  - 3.0 to 5.5V operation
  - Standby current less than 1µA
  - Active current less than 3 mA
- High reliability endurance:
  - 100,000 write cycles
- Data retention: 100 years
- Available in:
  - 8-lead PDIP, SOIC, MSOP, and smart car module

DESCRIPTION

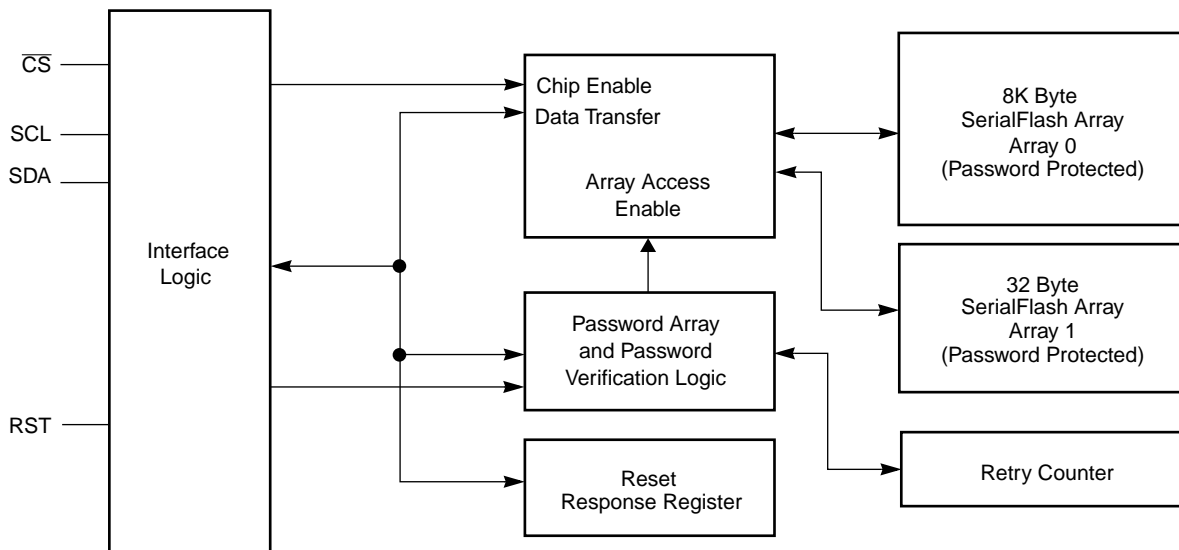
The X76F100 is a Password Access Security Supervisor, containing one 896-bit Secure SerialFlash array. Access to the memory array can be controlled by two 64-bit passwords. These passwords protect read and write operations of the memory array.

The X76F100 features a serial interface and software protocol allowing operation on a popular two wire bus. The bus signals are a clock Input (SCL) and a bidirectional data input and output (SDA). Access to the device is controlled through a chip select ( $\overline{CS}$ ) input, allowing any number of devices to share the same bus.

The X76F100 also features a synchronous response to reset providing an automatic output of a hard-wired 32-bit data stream conforming to the industry standard for memory cards.

The X76F100 utilizes Xicor's proprietary Direct Write™ cell, providing a minimum endurance of 100,000 cycles and a minimum data retention of 100 years.

BLOCK DIAGRAM



# X76F100

## PIN DESCRIPTIONS

### Serial Clock (SCL)

The SCL input is used to clock all data into and out of the device.

### Serial Data (SDA)

SDA is an open drain serial data input/output pin. During a read cycle, data is shifted out on this pin. During a write cycle, data is shifted in on this pin. In all other cases, this pin is in a high impedance state.

### Chip Select ( $\overline{CS}$ )

When  $\overline{CS}$  is high, the X76F100 is deselected and the SDA pin is at high impedance and unless an internal write operation is underway, the X76F100 will be in standby mode.  $\overline{CS}$  low enables the X76F100, placing it in the active mode.

### Reset (RST)

RST is a device reset pin. When RST is pulsed high while  $\overline{CS}$  is low the X76F100 will output 32 bits of fixed data which conforms to the standard for “synchronous response to reset”.  $\overline{CS}$  must remain LOW and the part must not be in a write cycle for the response to reset to occur. See Figure 7. If at any time during the response to reset  $\overline{CS}$  goes HIGH, the response to reset will be aborted and the part will return to the standby state. The response to reset is “mask programmable” only!

## DEVICE OPERATION

The X76F100 memory array consists of fourteen 8-byte sectors. Read or write access to the array always begins at the first address of the sector. Read operations then can continue indefinitely. Write operations must total 8-bytes.

There are two primary modes of operation for the X76F100; Protected READ and protected WRITE. Protected operations must be performed with one of two 8-byte passwords.

The basic method of communication for the device is established by first enabling the device ( $\overline{CS}$  LOW), generating a start condition, then transmitting a command, followed by the correct password. All parts will be shipped from the factory with all passwords equal to '0'. The user must perform ACK Polling to determine the validity of the password, before starting a data transfer (see Acknowledge Polling.) Only after the correct password is accepted and a ACK polling has been performed, can the data transfer occur.

To ensure the correct communication, RST must remain LOW under all conditions except when running a “Response to Reset sequence”.

Data is transferred in 8-bit segments, with each transfer being followed by an ACK, generated by the receiving device.

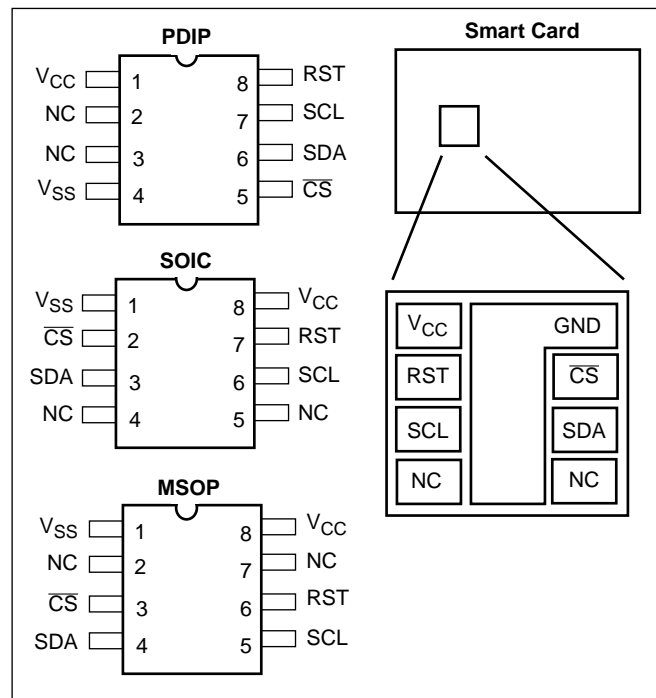
If the X76F100 is in a nonvolatile write cycle a “no ACK” (SDA=High) response will be issued in response to loading of the command byte. If a stop is issued prior to the nonvolatile write cycle the write operation will be terminated and the part will reset and enter into a standby mode.

The basic sequence is illustrated in Figure 1.

## PIN NAMES

Symbol	Description
CS	Chip Select Input
SDA	Serial Data Input/Output
SCL	Serial Clock Input
RST	Reset Input
V <sub>CC</sub>	Supply Voltage
V <sub>SS</sub>	Ground
NC	No Connect

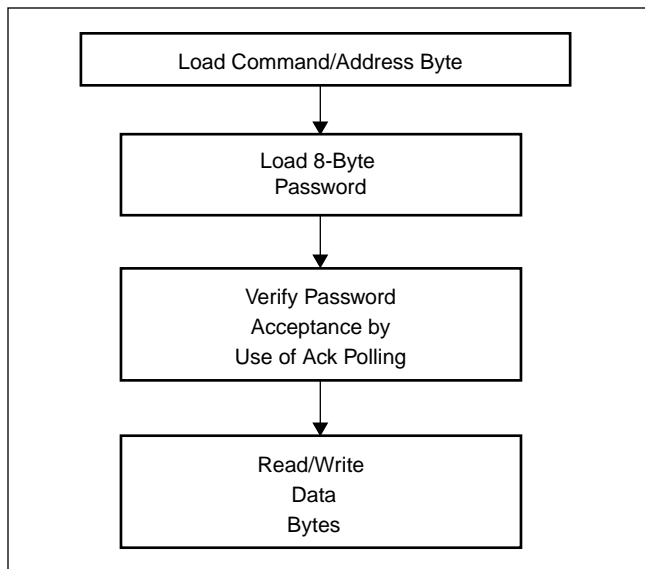
## PIN CONFIGURATION



# X76F100

After each transaction is completed, the X76F100 will reset and enter into a standby mode. This will also be the response if an unsuccessful attempt is made to access a protected array.

**Figure 1. X76F100 Device Operation**



## Retry Counter

The X76F100 contains a retry counter. The retry counter allows 8 accesses with an invalid password before any action is taken. The counter will increment with any combination of incorrect passwords. If the retry counter overflows, the memory area and both of the passwords are cleared to "0". If a correct password is received prior to retry counter overflow, the retry counter is reset and access is granted.

## Device Protocol

The X76F100 supports a bidirectional bus oriented protocol. The protocol defines any device that sends data onto the bus as a transmitter and the receiving device as a receiver. The device controlling the transfer is a master and the device being controlled is the slave. The master will always initiate data transfers and provide the clock for both transmit and receive operations. Therefore, the X76F100 will be considered a slave in all applications.

## Clock and Data Conventions

Data states on the SDA line can change only during SCL LOW. SDA changes during SCL HIGH are reserved for indicating start and stop conditions. Refer to Figure 2 and Figure 3.

## Start Condition

All commands are preceded by the start condition, which is a HIGH to LOW transition of SDA when SCL is HIGH. The X76F100 continuously monitors the SDA and SCL lines for the start condition and will not respond to any command until this condition is met.

A start may be issued to terminate the input of a control byte or the input data to be written. This will reset the device and leave it ready to begin a new read or write command. Because of the push/pull output, a start cannot be generated while the part is outputting data. Starts are inhibited while a write is in progress.

## Stop Condition

All communications must be terminated by a stop condition. The stop condition is a LOW to HIGH transition of SDA when SCL is HIGH. The stop condition is also used to reset the device during a command or data input sequence and will leave the device in the standby power mode. As with starts, stops are inhibited when outputting data and while a write is in progress.

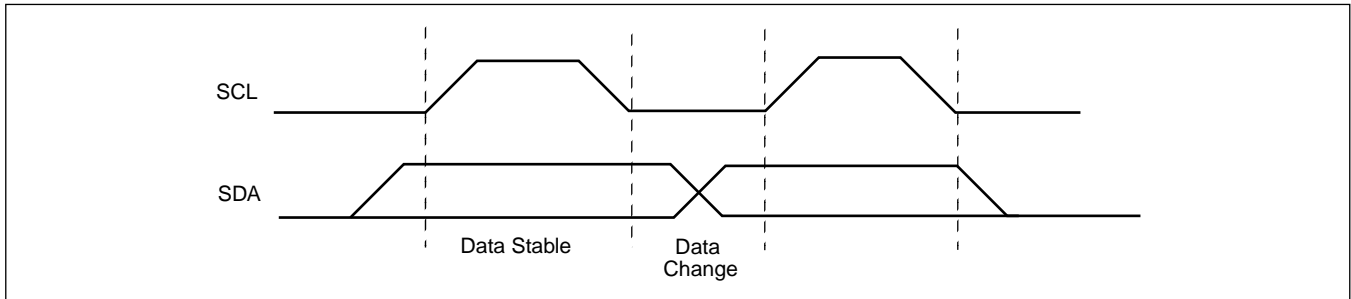
## Acknowledge

Acknowledge is a software convention used to indicate successful data transfer. The transmitting device, either master or slave, will release the bus after transmitting eight bits. During the ninth clock cycle the receiver will pull the SDA line LOW to acknowledge that it received the eight bits of data.

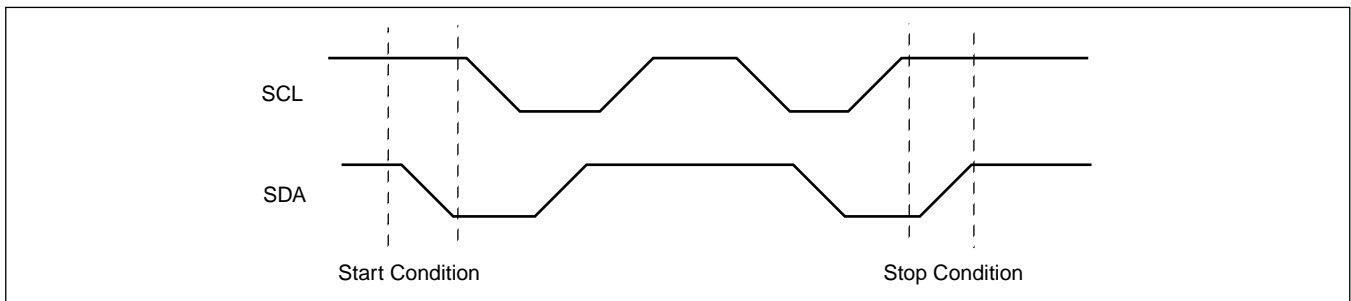
The X76F100 will respond with an acknowledge after recognition of a start condition and its slave address. If both the device and a write condition have been selected, the X76F100 will respond with an acknowledge after the receipt of each subsequent eight-bit word.

# X76F100

**Figure 2. Data Validity**



**Figure 3. Definition of Start and Stop Conditions**



**Table 1. X76F100 Instruction Set**

Command after Start	Command Description	Password Used
1 0 0 S <sub>3</sub> S <sub>2</sub> S <sub>1</sub> S <sub>0</sub> 0	Sector Write	Write
1 0 0 S <sub>3</sub> S <sub>2</sub> S <sub>1</sub> S <sub>0</sub> 1	Sector Read	Read
1 1 1 1 1 1 0 0	Change Write Password	Write
1 1 1 1 1 1 1 0	Change Read Password	Write
0 1 0 1 0 1 0 1	Password ACK Command	None

Illegal command codes will be disregarded. The part will respond with a “no-ACK” to the illegal byte and then return to the standby mode. All write/read operations require a password.

## PROGRAM OPERATIONS

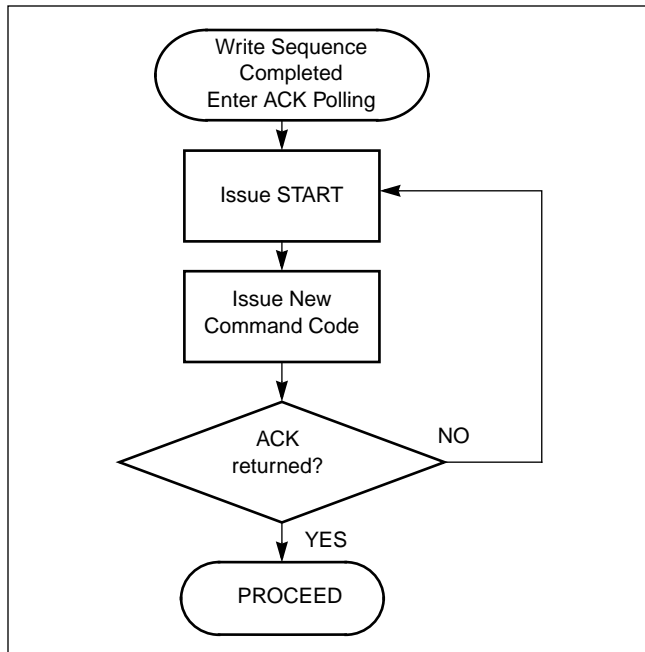
### Sector Write

The sector write mode requires issuing the 8-bit write command followed by the password and then the data bytes transferred as illustrated in Figure 4. The write command byte contains the address of the sector to be written. Data is written starting at the first address of a sector and eight bytes must be transferred. After the last byte to be transferred is acknowledged a stop condition is issued which starts the nonvolatile write cycle. If more or less than 8-bytes are transferred, the data in the sector remains unchanged.

### ACK Polling

Once a stop condition is issued to indicate the end of the host’s write sequence, the X76F100 initiates the internal nonvolatile write cycle. In order to take advantage of the typical 5ms write cycle, ACK polling can begin immediately. This involves issuing the start condition followed by the new command code of 8-bits (1st byte of the protocol.) If the X76F100 is still busy with the nonvolatile write operation, it will issue a “no-ACK” in response. If the nonvolatile write operation has completed, an “ACK” will be returned and the host can then proceed with the rest of the protocol.

## Data ACK Polling Sequence

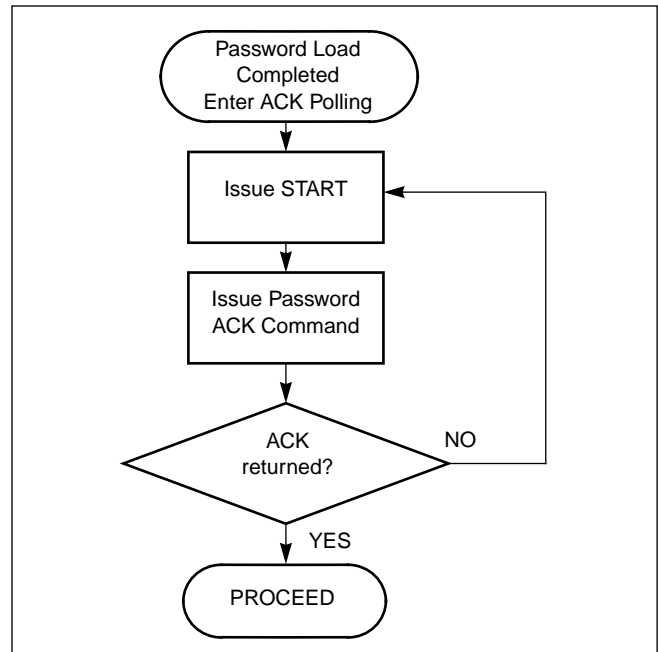


After the password sequence, there is always a nonvolatile write cycle. This is done to discourage random guesses of the password if the device is being tampered with. In order to continue the transaction, the X76F100 requires the master to perform a password ACK polling sequence with the specific command code of 55h. As with regular Acknowledge polling the user can either time out for 10ms, and then issue the ACK polling once, or continuously loop as described in the flow.

If the password that was inserted was correct, then an "ACK" will be returned once the nonvolatile cycle in response to the password ACK polling sequence is over.

If the password that was inserted was incorrect, then a "no ACK" will be returned even if the nonvolatile cycle is over. Therefore, the user cannot be certain that the password is incorrect until the 10ms write cycle time has elapsed.

## Password ACK Polling Sequence



## READ OPERATIONS

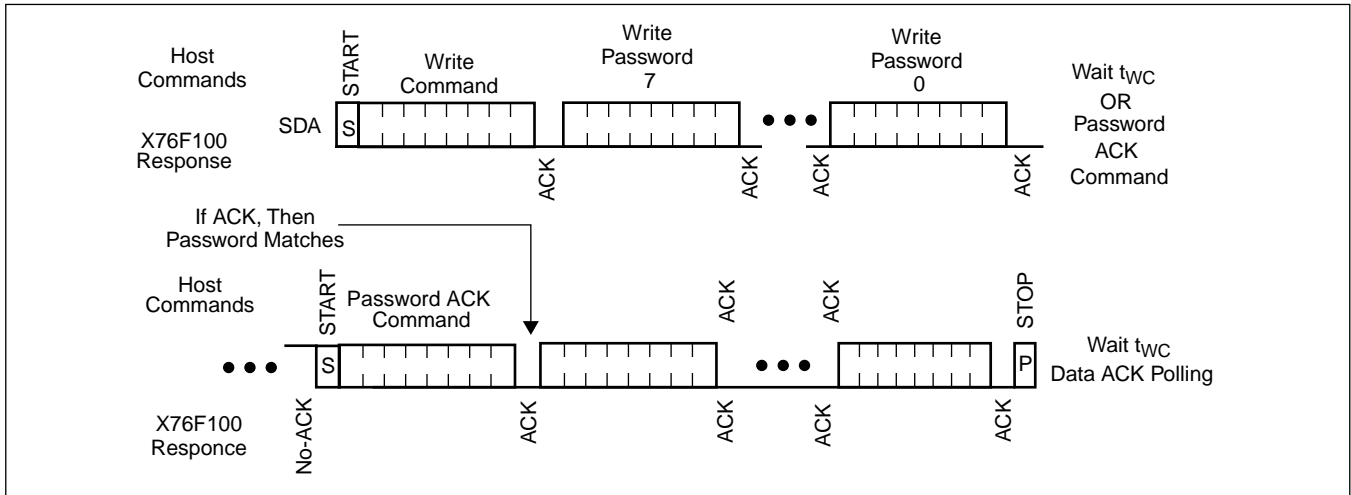
Read operations are initiated in the same manner as write operations but with a different command code.

### Sector Read

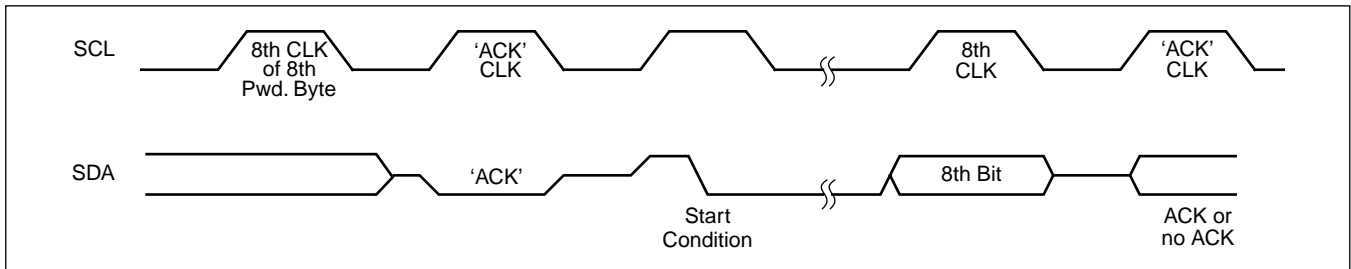
With sector read, a sector address is supplied with the read command. Once the password has been acknowledged data may be read from the sector. An acknowledge must follow each 8-bit data transfer. A read operation always begins at the first byte in the sector, but may stop at any time. Random accesses to the array are not possible. Continuous reading from the array will return data from successive sectors. After reading the last sector in the array, the address is automatically set to the first sector in the array and data can continue to be read out. After the last bit has been read, a stop condition is generated without sending a preceding acknowledge.

# X76F100

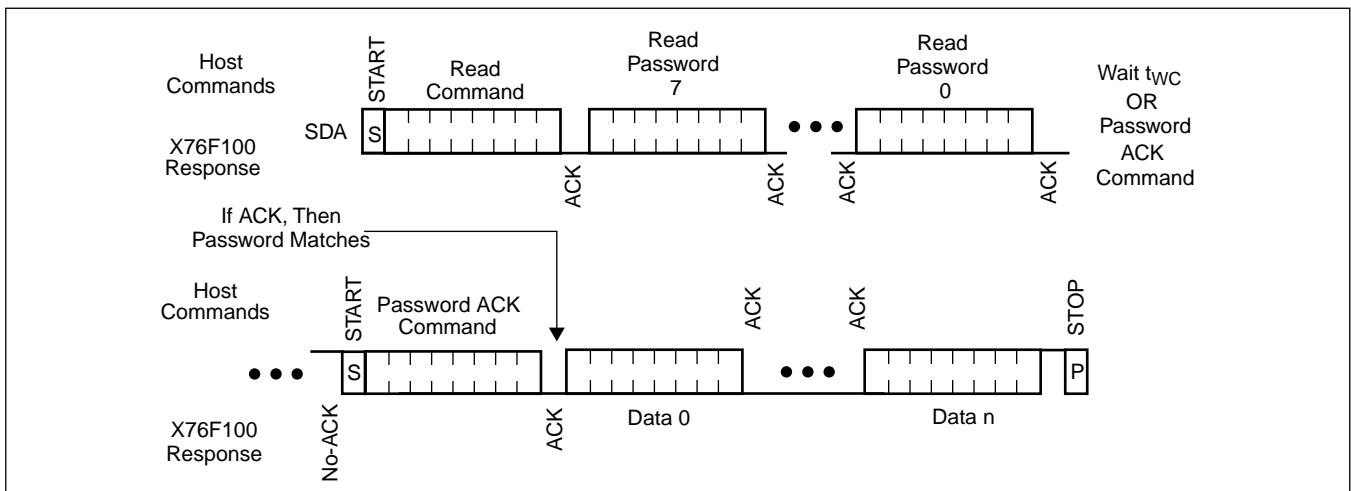
**Figure 4. Sector Write Sequence (Password Required)**



**Figure 5. Acknowledge Polling**



**Figure 6. Sector Read Sequence (Password Required)**



# X76F100

## PASSWORDS

Passwords are changed by sending the “change read password” or “change write password” commands in a normal sector write operation. A full eight bytes containing the new password must be sent, following successful transmission of the current write password and a valid password ACK response. The user can use a repeated ACK Polling command to check that a new password has been written correctly. An ACK indicates that the new password is valid.

There is no way to read any of the passwords.

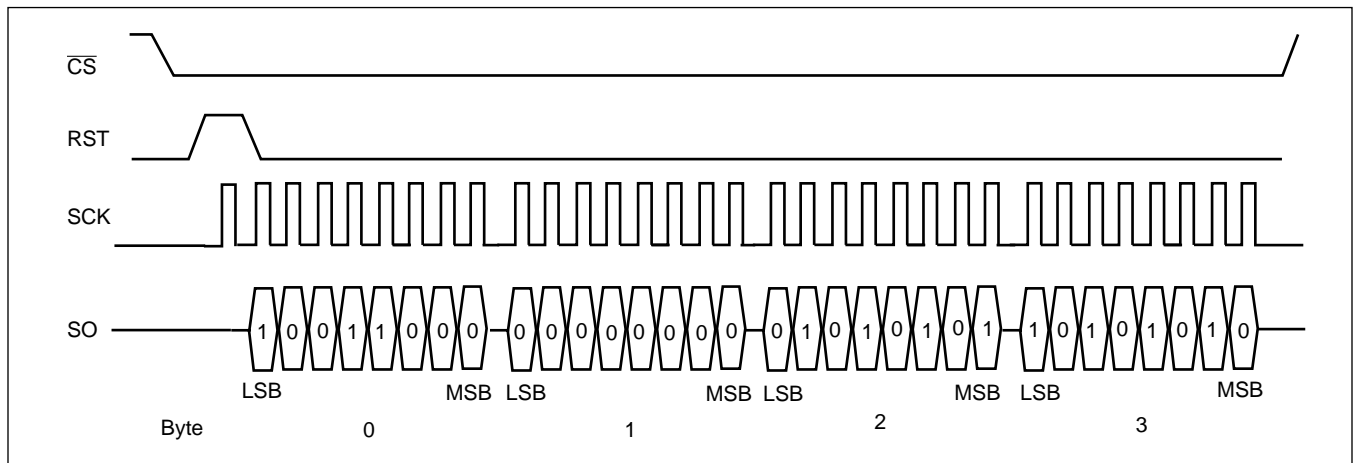
### Response to Reset (Default = 19 00 AA 55)

The ISO Response to reset is controlled by the RST,  $\overline{CS}$  and CLK pins. When RST is pulsed high, while  $\overline{CS}$  is low, the device will output 32-bits of data, one bit per clock. This conforms to the ISO standard for “synchronous response to reset”.  $\overline{CS}$  must remain LOW and the part must not be in a write cycle for the response to reset to occur.

After initiating a nonvolatile write cycle the RST pin must not be pulsed until the nonvolatile write cycle is complete. If not, the ISO response will not be activated. Also, any attempt to pulse the RST pin in the middle of an ISO transaction will stop the transaction with the SDA pin in high impedance. The user will have to issue a stop condition and start the transaction again. If at any time during the Response to Reset  $\overline{CS}$  goes HIGH, the response to reset will be aborted and the part will return to the standby state. A Response to Reset is not available during a nonvolatile write cycle.

Continued clocks after the 32-bits, will output the 32-bit sequence again, starting at byte 0.

Figure 7. Response to RESET(RST)



# X76F100

## ABSOLUTE MAXIMUM RATINGS

Temperature under bias .....-65°C to +135°C  
 Storage temperature .....-65°C to +150°C  
 Voltage on any pin with respect to  $V_{SS}$  .....-1V to +7V  
 D.C. output current ..... 5mA  
 Lead temperature (soldering, 10 seconds).....300°C

## COMMENT

Stresses above those listed under “Absolute Maximum Ratings” may cause permanent damage to the device. This is a stress rating only; functional operation of the device (at these or any other conditions above those listed in the operational sections of this specification) is not implied. Exposure to absolute maximum rating conditions for extended periods may affect device reliability.

## RECOMMENDED OPERATING CONDITIONS

Temperature	Min.	Max.
Commercial	0°C	+70°C
Industrial	-40°C	+85°C

Supply Voltage	Limits
X76F100	4.5V to 5.5V
X76F100-3	3.0V to 5.5V

## D.C. OPERATING CHARACTERISTICS (Over the recommended operating conditions unless otherwise specified.)

Symbol	Parameter	Limits		Unit	Test Conditions
		Min.	Max.		
$I_{CC1}$	$V_{CC}$ Supply Current (Read)		1	mA	$f_{SCL} = V_{CC} \times 0.1 / V_{CC} \times 0.9$ Levels @ 400 kHz, SDA = Open, RST = $\overline{CS} = V_{SS}$
$I_{CC2}^{(3)}$	$V_{CC}$ Supply Current (Write)		3	mA	$f_{SCL} = V_{CC} \times 0.1 / V_{CC} \times 0.9$ Levels @ 400 kHz, SDA = Open, RST = $\overline{CS} = V_{SS}$
$I_{SB1}^{(1)}$	$V_{CC}$ Supply Current (Standby)		1	$\mu A$	$V_{IL} = V_{CC} \times 0.1$ , $V_{IH} = V_{CC} \times 0.9$ $f_{SCL} = 400$ kHz, $f_{SDA} = 400$ kHz
$I_{SB2}^{(1)}$	$V_{CC}$ Supply Current (Standby)		1	$\mu A$	$V_{SDA} = V_{SCC} = V_{CC}$ Other = GND or $V_{CC} - 0.3V$
$I_{LI}$	Input Leakage Current		10	$\mu A$	$V_{IN} = V_{SS}$ to $V_{CC}$
$I_{LO}$	Output Leakage Current		10	$\mu A$	$V_{OUT} = V_{SS}$ to $V_{CC}$
$V_{IL}^{(2)}$	Input LOW Voltage	-0.5	$V_{CC} \times 0.3$	V	
$V_{IH}^{(2)}$	Input HIGH Voltage	$V_{CC} \times 0.7$	$V_{CC} + 0.5$	V	
$V_{OL}$	Output LOW Voltage		0.4	V	$I_{OL} = 3mA$

## CAPACITANCE $T_A = +25^\circ C$ , $f = 1MHz$ , $V_{CC} = 5V$

Symbol	Test	Max.	Unit	Conditions
$C_{OUT}^{(3)}$	Output Capacitance (SDA)	8	pF	$V_{IO} = 0V$
$C_{IN}^{(3)}$	Input Capacitance (RST, SCL, $\overline{CS}$ )	6	pF	$V_{IN} = 0V$

- Notes:** (1) Must perform a stop command after a read command prior to measurement.  
 (2)  $V_{IL}$  min. and  $V_{IH}$  max. are for reference only and are not tested.  
 (3) This parameter is periodically sampled and not 100% tested.



# X76F100

**AC CHARACTERISTICS** ( $T_A = -40^\circ\text{C}$  to  $+85^\circ\text{C}$ ,  $V_{CC} = +3.0\text{V}$  to  $+5.5\text{V}$ , unless otherwise specified.)

Symbol	Parameter	Min.	Max.	Unit
$f_{SCL}$	SCL Clock Frequency	0	1	MHz
$t_{AA}^{(3)}$	SCL LOW to SDA Data Out Valid	0.1	0.9	$\mu\text{s}$
$t_{BUF}$	Time the Bus Must Be Free Before a New Transmission Can Start	1.2		$\mu\text{s}$
$t_{HD:STA}$	Start Condition Hold Time	0.6		$\mu\text{s}$
$t_{LOW}$	Clock LOW Period	1.2		$\mu\text{s}$
$t_{HIGH}$	Clock HIGH Period	0.6		$\mu\text{s}$
$t_{SU:STA}$	Start Condition Setup Time (for a Repeated Start Condition)	0.6		$\mu\text{s}$
$t_{HD:DAT}$	Data In Hold Time	10		ns
$t_{SU:DAT}$	Data In Setup Time	100		ns
$t_R$	SDA and SCL Rise Time	$20+0.1XC_b^{(2)}$	300	ns
$t_F$	SDA and SCL Fall Time	$20+0.1XC_b^{(2)}$	300	ns
$t_{SU:STO}$	Stop Condition Setup Time	0.6		$\mu\text{s}$
$t_{DH}$	Data Out Hold Time	0		$\mu\text{s}$
$t_{NOL}$	RST to SCL Non-Overlap	500		ns
$t_{RDV}$	RST LOW to SDA Valid During Response to Reset	0	450	ns
$t_{CDV}$	CLK LOW to SDA Valid During Response to Reset	0	450	ns
$t_{DHZ}^{(1)}$	Device Deselect to SDA high impedance	0	450	ns
$t_{SR}^{(1)}$	Device Select to RST active	0		ns
$t_{RST}$	RST High Time	1.5		$\mu\text{s}$
$t_{SU:RST}$	RST Setup Time	500		ns
$t_{SU:CS}$	$\overline{CS}$ Setup Time	200		ns
$t_{SU:CS}$	$\overline{CS}$ Hold Time	100		ns

**Notes:** (1) These Specs are not defined in the ISO 7816-3 Standard, since  $\overline{CS}$  is not defined.

(2)  $C_b$  = total capacitance of one bus line in pF

(3)  $t_{AA} = 1.1\mu\text{s}$  Max below  $V_{CC} = 3.0\text{V}$ .

## RESET AC SPECIFICATIONS

### Power Up Timing

Symbol	Parameter	Min.	Typ. <sup>(2)</sup>	Max.	Unit
$t_{PUR}^{(1)}$	Time from Power Up to Read			1	ms
$t_{PUW}^{(1)}$	Time from Power Up to Write			5	ms

**Notes:** (1) Delays are measured from the time  $V_{CC}$  is stable until the specified operation can be initiated. These parameters are periodically sampled and not 100% tested.

(2) Typical values are for  $T_A = 25^\circ\text{C}$  and  $V_{CC} = 5.0\text{V}$

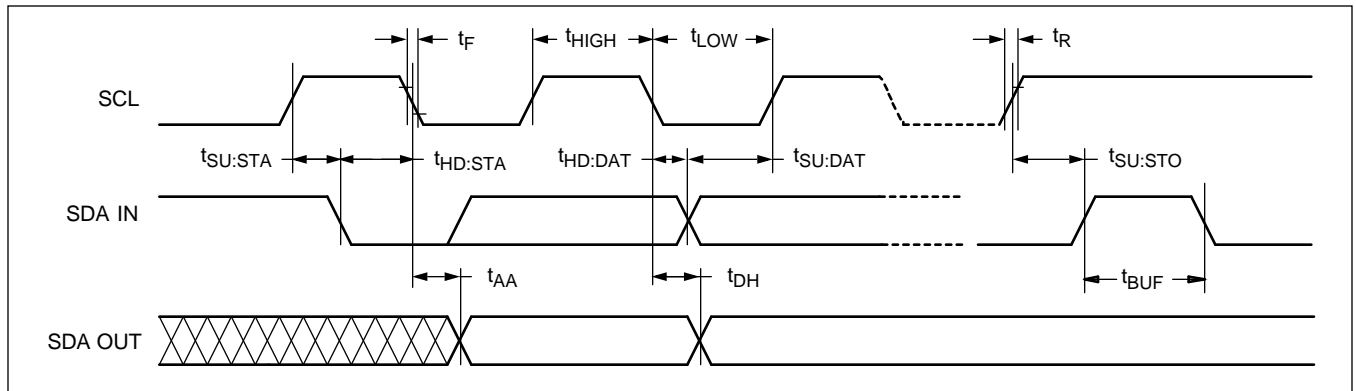
# X76F100

## Nonvolatile Write Cycle Timing

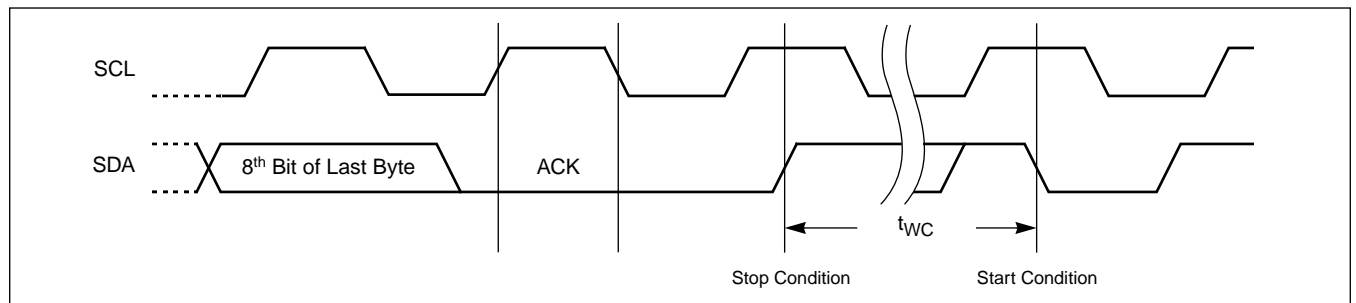
Symbol	Parameter	Min.	Typ. <sup>(1)</sup>	Max.	Unit
$t_{WC}^{(1)}$	Write Cycle Time		5	10	ms

**Note:** (1)  $t_{WC}$  is the time from a valid stop condition at the end of a write sequence to the end of the self-timed internal nonvolatile write cycle. It is the minimum cycle time to be allowed for any nonvolatile write by the user, unless Acknowledge Polling is used.

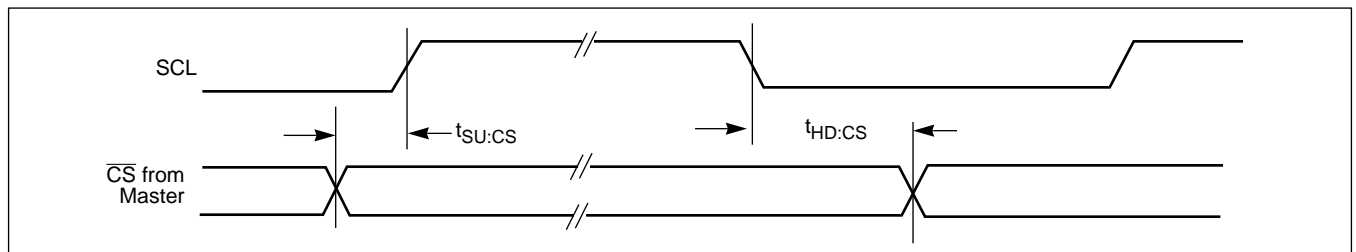
## Bus Timing



## Write Cycle Timing

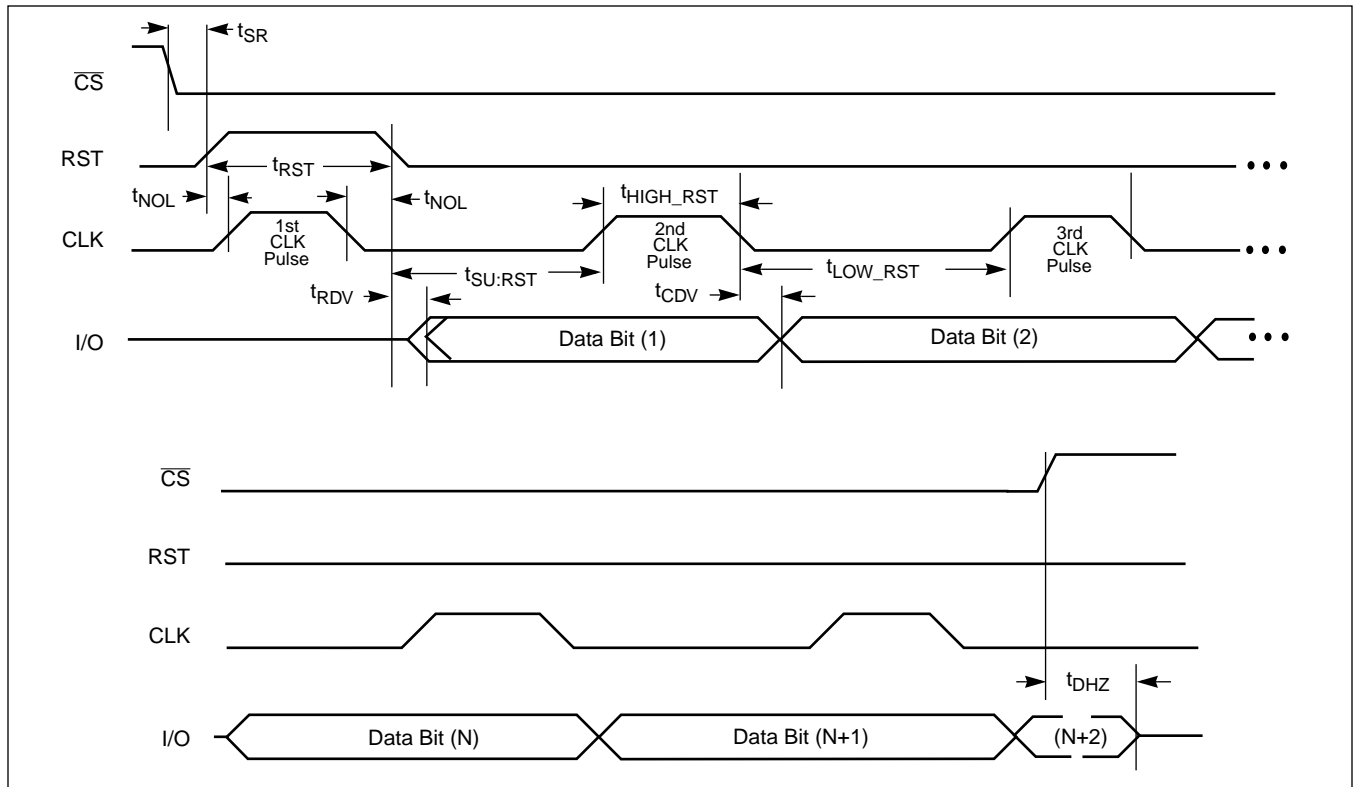


## $\overline{CS}$ Timing Diagram (Selecting/Deselecting the Part)

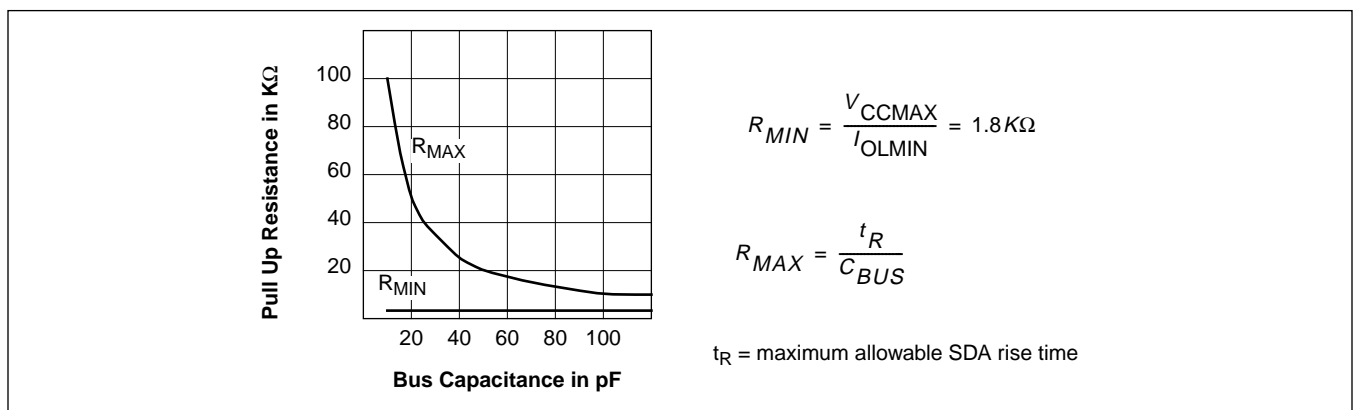


# X76F100

## RST Timing Diagram—Response to a Synchronous Reset



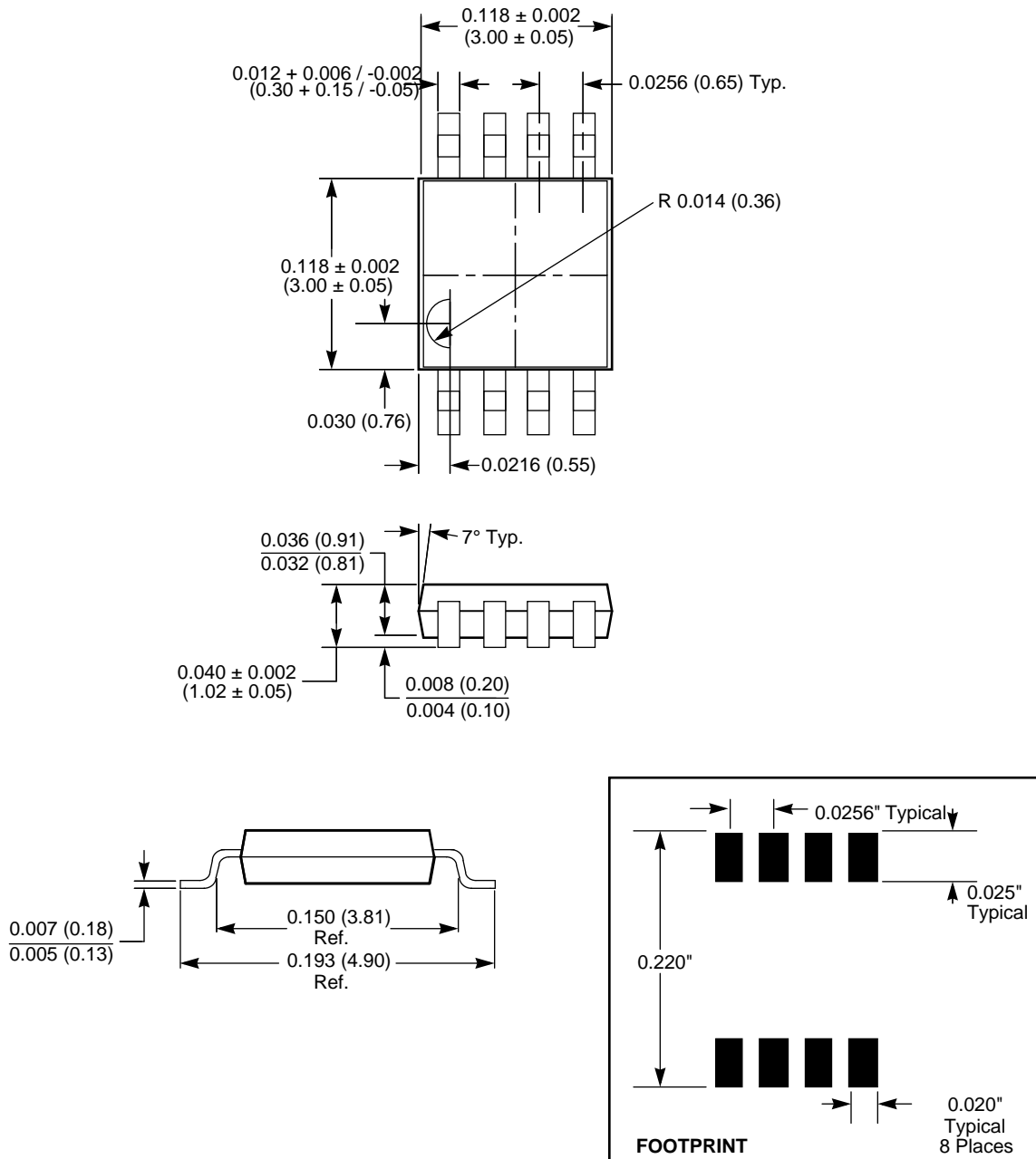
## GUIDELINES FOR CALCULATING TYPICAL VALUES OF BUS PULL UP RESISTORS



# X76F100

## PACKAGING INFORMATION

### 8-Lead Miniature Small Outline Gull Wing Package Type M



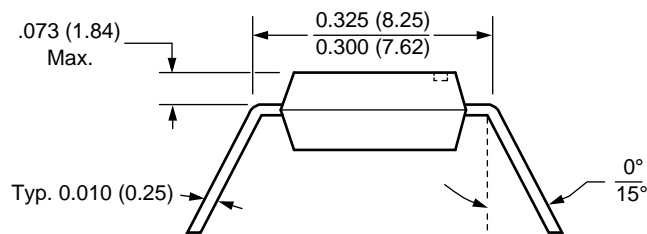
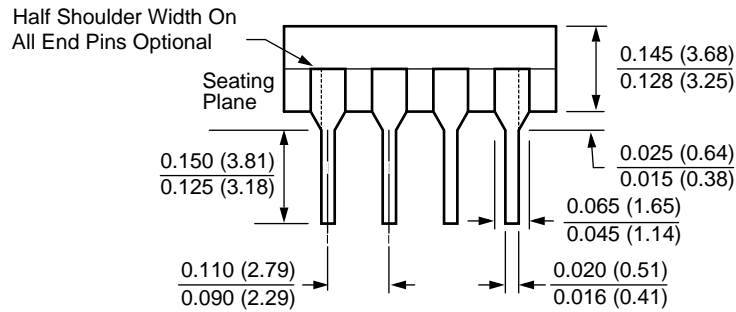
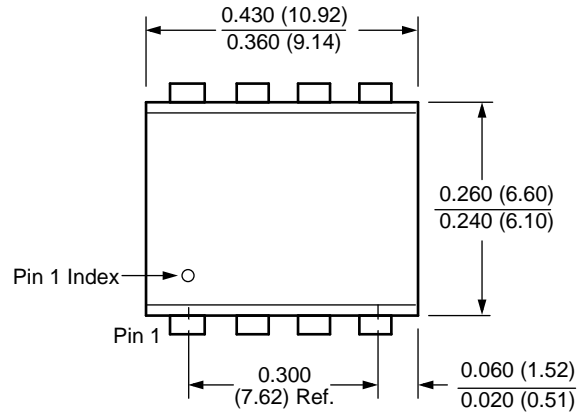
**NOTE:**

1. ALL DIMENSIONS IN INCHES AND (MILLIMETERS)

# X76F100

## PACKAGING INFORMATION

### 8-Lead Plastic Dual In-Line Package Type P



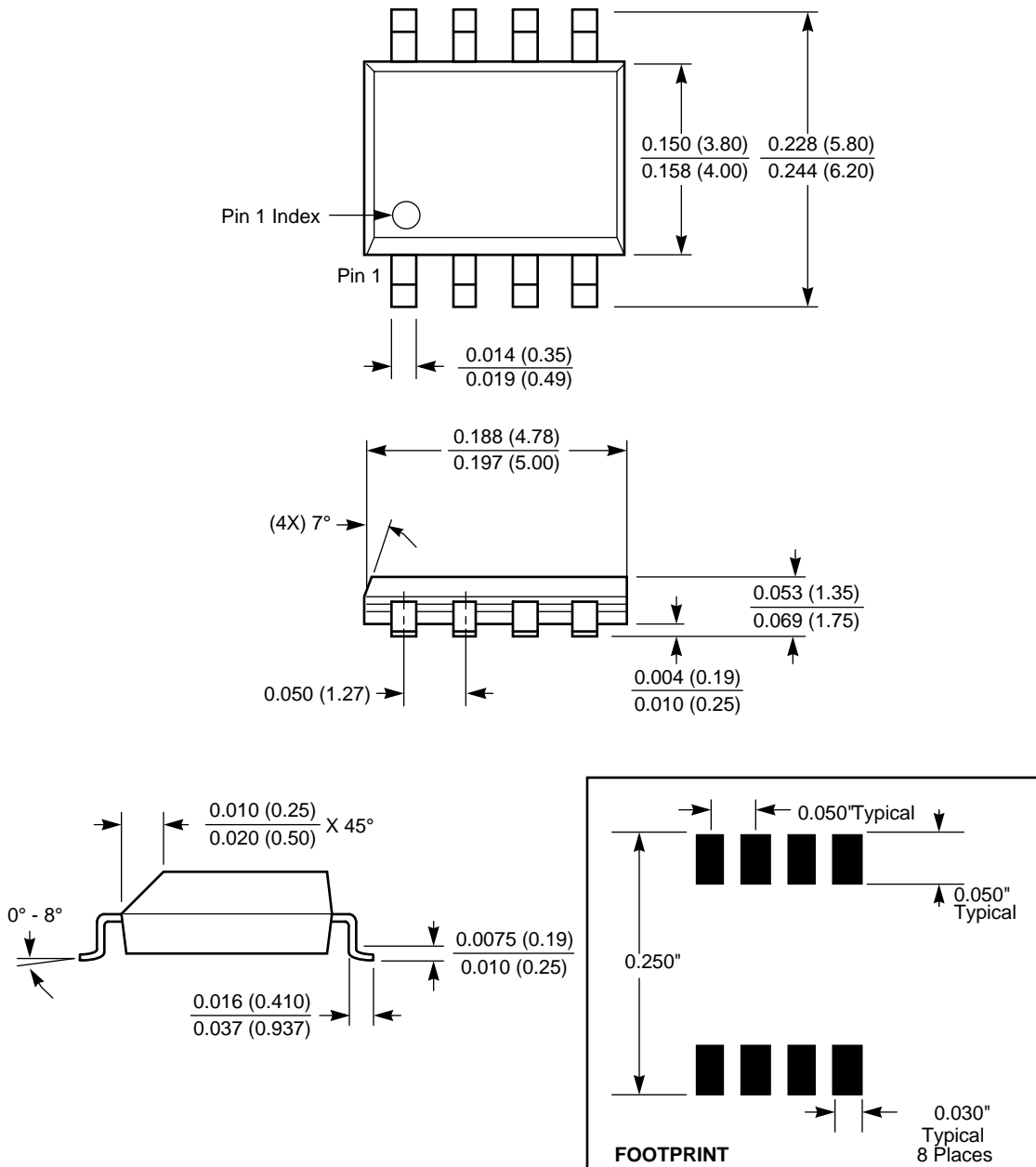
#### NOTE:

1. ALL DIMENSIONS IN INCHES (IN PARENTHESES IN MILLIMETERS)
2. PACKAGE DIMENSIONS EXCLUDE MOLDING FLASH

# X76F100

## PACKAGING INFORMATION

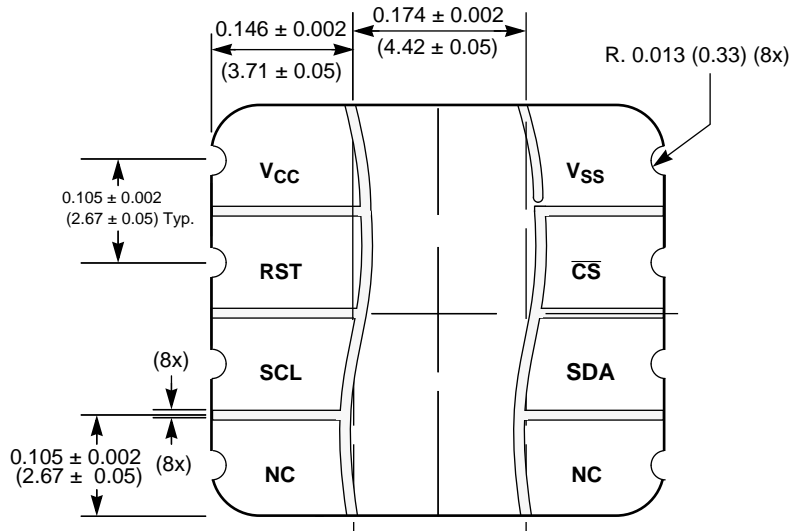
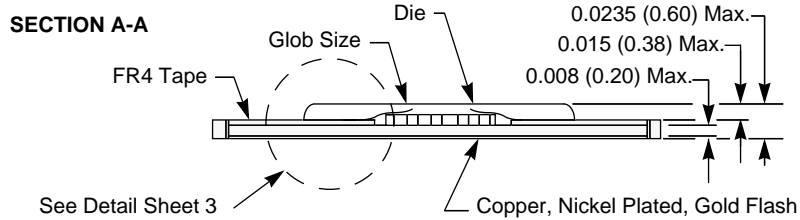
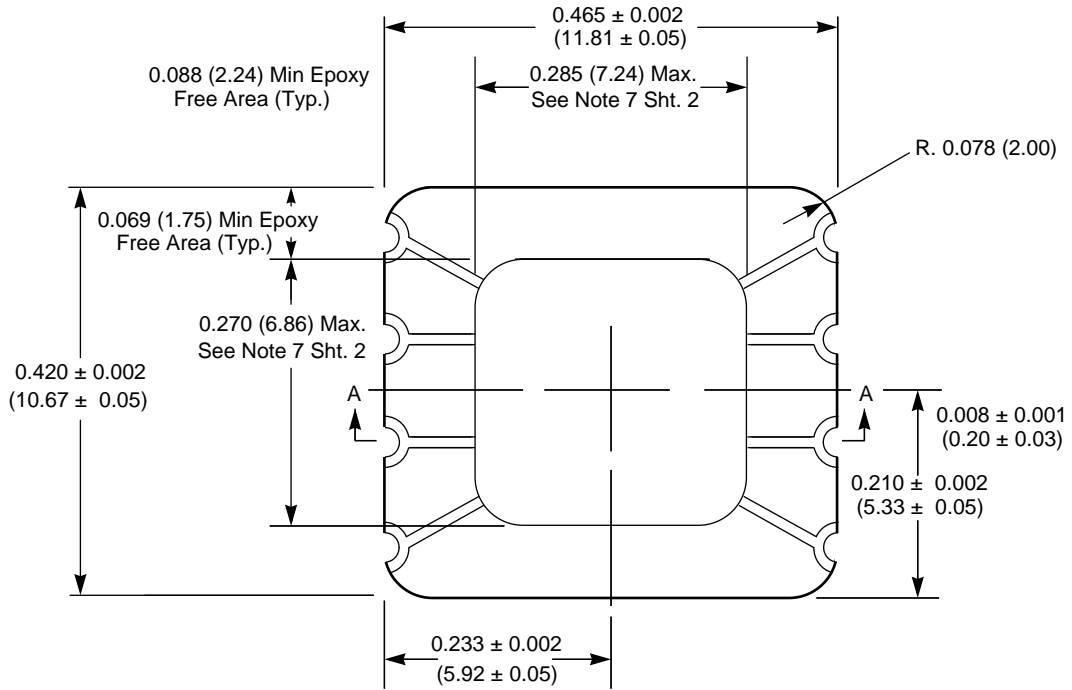
### 8-Lead Plastic Small Outline Gull Wing Package Type S



NOTE: ALL DIMENSIONS IN INCHES (IN PARENTHESES IN MILLIMETERS)

**PACKAGING INFORMATION**

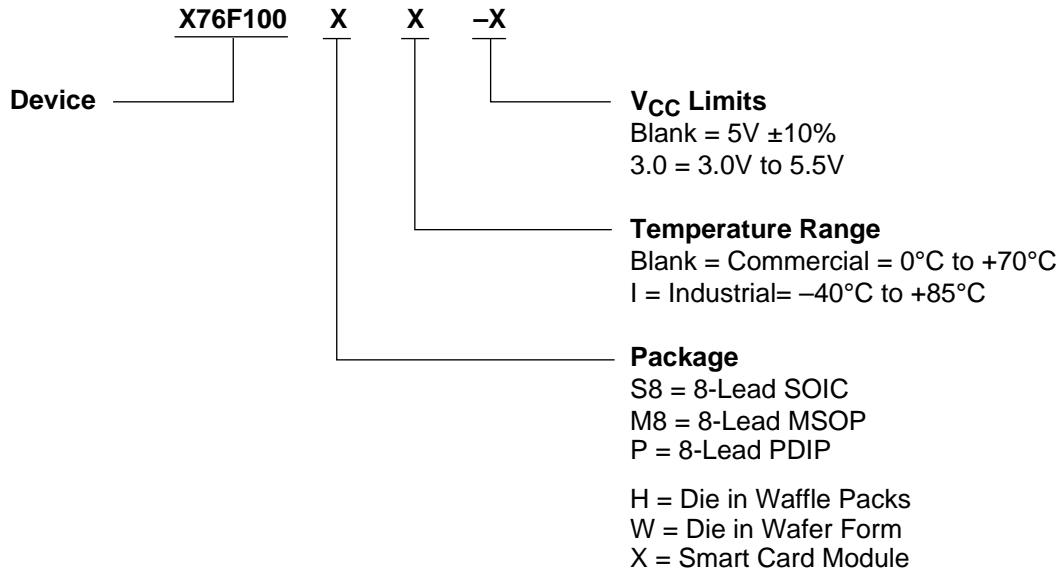
**8 Pad Chip on Board Smart Card Module Type X**



**NOTE: ALL DIMENSIONS IN INCHES AND (MILLIMETERS)**

# X76F100

## Ordering Information



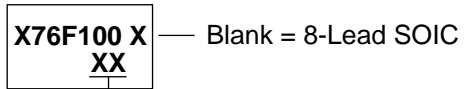
## Part Mark Convention

### 8-Lead MSOP



AAQ = 3.0 to 5.5V, 0 to +70°C  
 AAR = 3.0 to 5.5V, -40 to +85°C  
 AAS = 4.5 to 5.5V, 0 to +70°C  
 AAT = 4.5 to 5.5V, -40 to +85°C

### 8-Lead SOIC/PDIP



D = 3.0 to 5.5V, 0 to +70°C  
 E = 3.0 to 5.5V, -40 to +85°C  
 Blank = 4.5 to 5.5V, 0 to +70°C  
 I = 4.5 to 5.5V, -40 to +85°C

## LIMITED WARRANTY

©Xicor, Inc. 2000 Patents Pending

Devices sold by Xicor, Inc. are covered by the warranty and patent indemnification provisions appearing in its Terms of Sale only. Xicor, Inc. makes no warranty, express, statutory, implied, or by description regarding the information set forth herein or regarding the freedom of the described devices from patent infringement. Xicor, Inc. makes no warranty of merchantability or fitness for any purpose. Xicor, Inc. reserves the right to discontinue production and change specifications and prices at any time and without notice.

Xicor, Inc. assumes no responsibility for the use of any circuitry other than circuitry embodied in a Xicor, Inc. product. No other circuits, patents, or licenses are implied.

## TRADEMARK DISCLAIMER:

Xicor and the Xicor logo are registered trademarks of Xicor, Inc. AutoStore, Direct Write, Block Lock, SerialFlash, MPS, and XDCP are also trademarks of Xicor, Inc. All others belong to their respective owners.

## U.S. PATENTS

Xicor products are covered by one or more of the following U.S. Patents: 4,326,134; 4,393,481; 4,404,475; 4,450,402; 4,486,769; 4,488,060; 4,520,461; 4,533,846; 4,599,706; 4,617,652; 4,668,932; 4,752,912; 4,829,482; 4,874,967; 4,883,976; 4,980,859; 5,012,132; 5,003,197; 5,023,694; 5,084,667; 5,153,880; 5,153,691; 5,161,137; 5,219,774; 5,270,927; 5,324,676; 5,434,396; 5,544,103; 5,587,573; 5,835,409; 5,977,585. Foreign patents and additional patents pending.

## LIFE RELATED POLICY

In situations where semiconductor component failure may endanger life, system designers using this product should design the system with appropriate error detection and correction, redundancy and back-up features to prevent such an occurrence.

Xicor's products are not authorized for use in critical components in life support devices or systems.

1. Life support devices or systems are devices or systems which, (a) are intended for surgical implant into the body, or (b) support or sustain life, and whose failure to perform, when properly used in accordance with instructions for use provided in the labeling, can be reasonably expected to result in a significant injury to the user.
2. A critical component is any component of a life support device or system whose failure to perform can be reasonably expected to cause the failure of the life support device or system, or to affect its safety or effectiveness.



This datasheet has been download from:

[www.datasheetcatalog.com](http://www.datasheetcatalog.com)

Datasheets for electronics components.